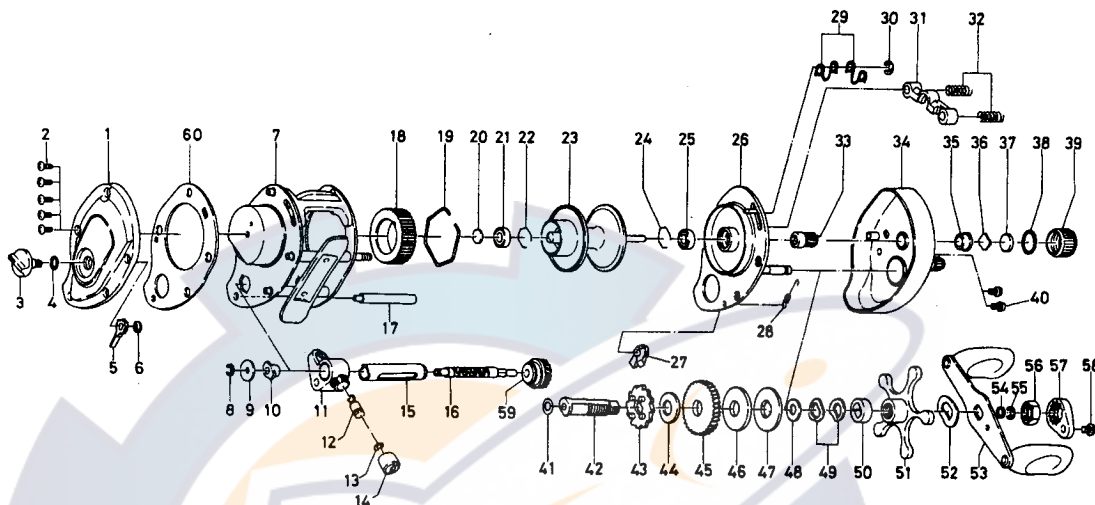


BAITCASTING REEL HT1000/PMA1000/ SP1000



Key No.	Parts No.	Parts Name	Key No.	Parts No.	Parts Name
1	E08-0801	Left side plate	31	B35-9001	Yoke
2	B36-0401	Left side plate screw	32	144-7101	Yoke spring
3	B66-1001	Brake adjusting knob	33	B87-0901	Pinion gear
4	637-0601	"O" ring	* 34		Right side plate
5	B54-1701	Brake adjusting gear	35	B64-3101	Bushing
6	320-4202	Brake adjusting gear retainer	36	B17-5401	Spool adjusting cap metal
7	B99-2601	Frame	37	B17-5501	Spacer
8	320-5901	Worm shaft retainer	38	171-5201	"O" ring
9	376-1801	Worm shaft holder washer	39	B35-7305	Cast control cap
10	B71-5601	Worm bearing	40	B36-0401	Set plate screw
11	B57-8701	Line guide	41	373-7611	Drive shaft washer A
12	B71-0101	Line guide pawl	42	B35-9602	Drive shaft
13	375-4100	Line guide washer	43	B86-5101	Anti-reverse ratchet
14	342-4801	Pawl cap	44	375-7103	Drive shaft washer B
15	B99-1801	Level wind guard	45	B85-2101	Drive gear
16	B99-1901	Worm shaft	46	B36-0202	Drag washer A
17	B36-3401	Stabilizer bar	47	B36-0301	Key washer
18	B66-1201	Magnet holder	48	373-7803	Drag washer B
19	B54-3201	Magnet holder ret. ring	49	150-8901	Drag spring washer
20	375-7400	Spacer	50	634-5801	Spacing sleeve
21	E08-1001	Ball bearing	* 51		Star drag
22	B42-1601	Bearing retainer	52	150-9001	Friction washer
* 23		Spool	53	B46-5801	Handle assembly
24	B42-1601	Bearing retainer	54	B41-1701	Drive shaft washer C
25	E08-1001	Ball bearing	55	320-8202	Drive shaft retainer
26	B99-2401	Set plate	56	B43-3601	Handle nut
27	B68-2801	Anti-reverse pawl	57	B43-3903	Handle nut plate
28	B35-8901	Clutch spring	58	351-1801	Handle nut plate screw
29	B81-5503	Set plate spring	59	B99-2001	Worm shaft gear
30	320-1402	Clutch ret. ring	* 60		Insert plate

*Order by model and part name due to color change.